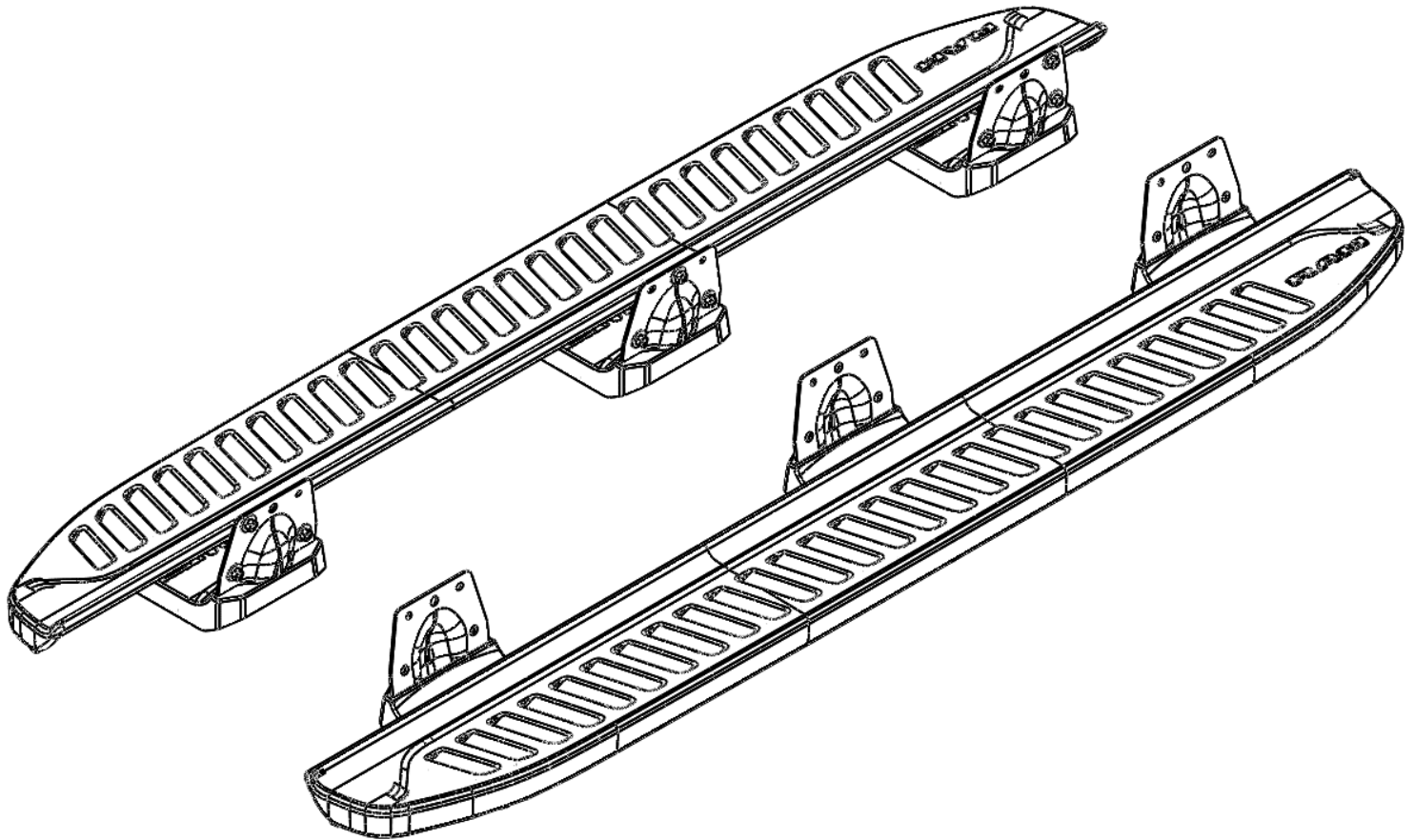




Quad RAM Cast Running Board

www.mopar.com



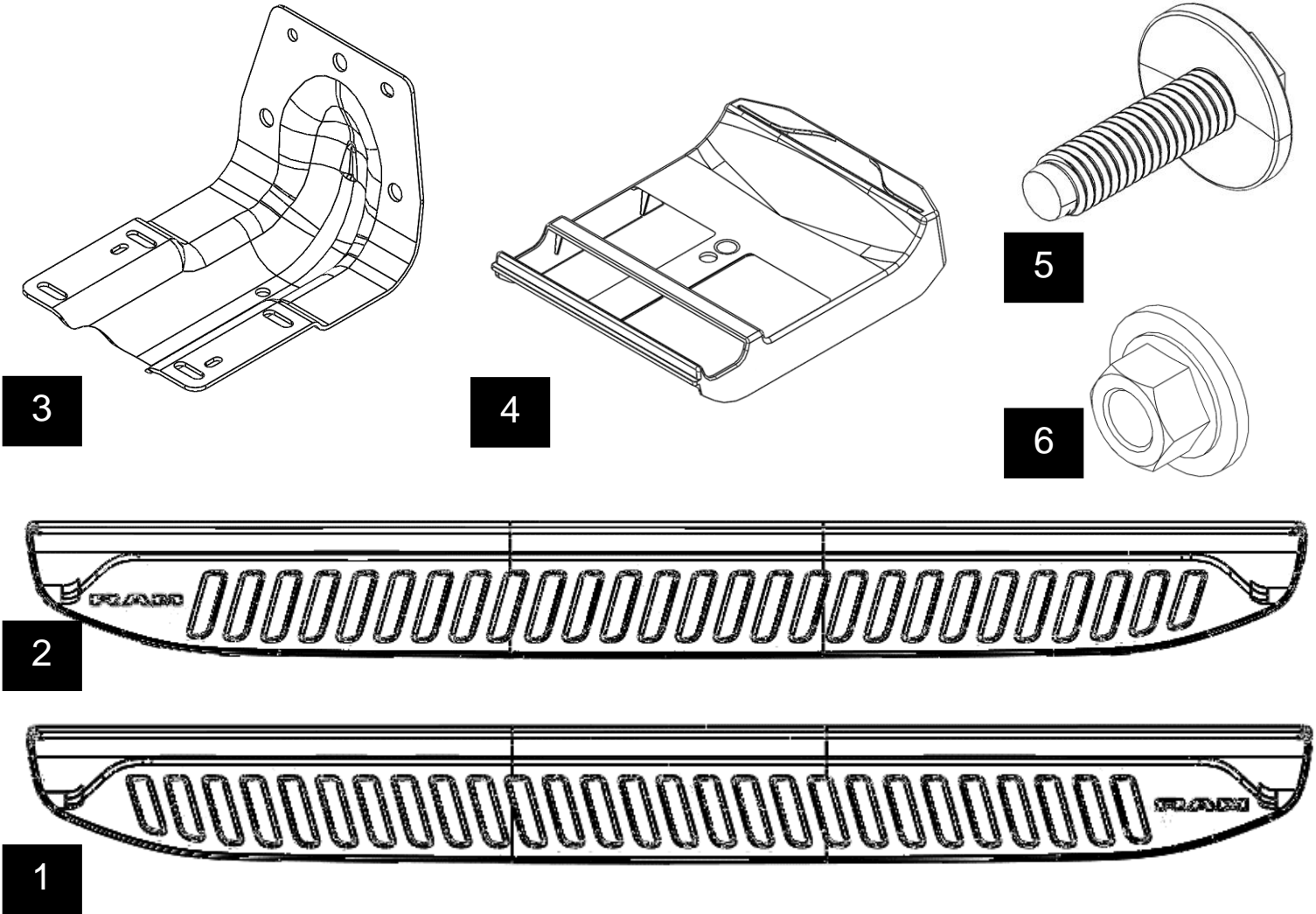
Important Notes:

Prior to beginning this or any installation read these instructions to familiarize yourself with the required steps and evaluate if you are experienced and capable to personally perform these modifications. A factory service manual should be used in conjunction with these installation instructions.

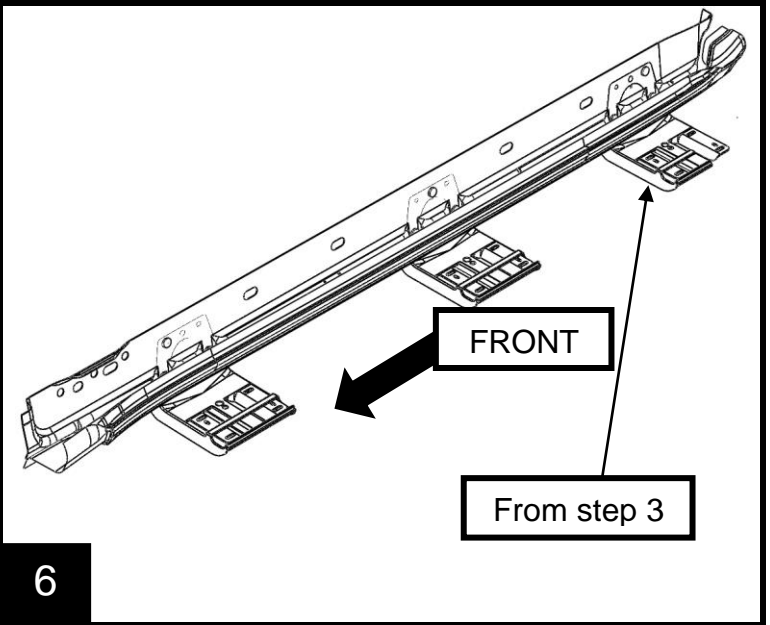
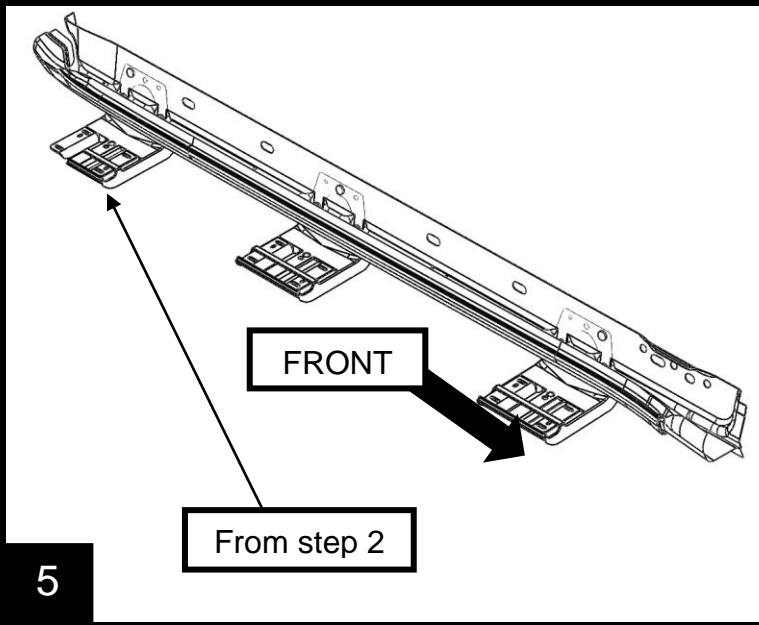
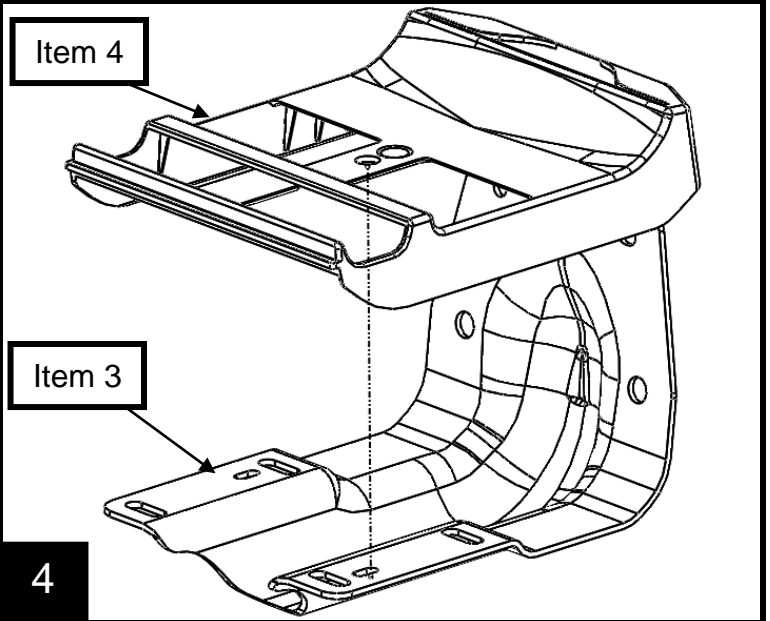
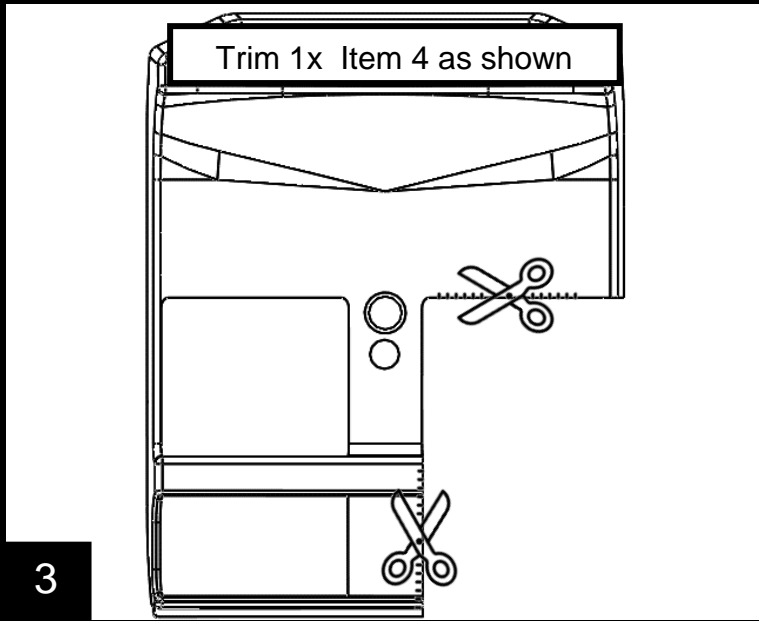
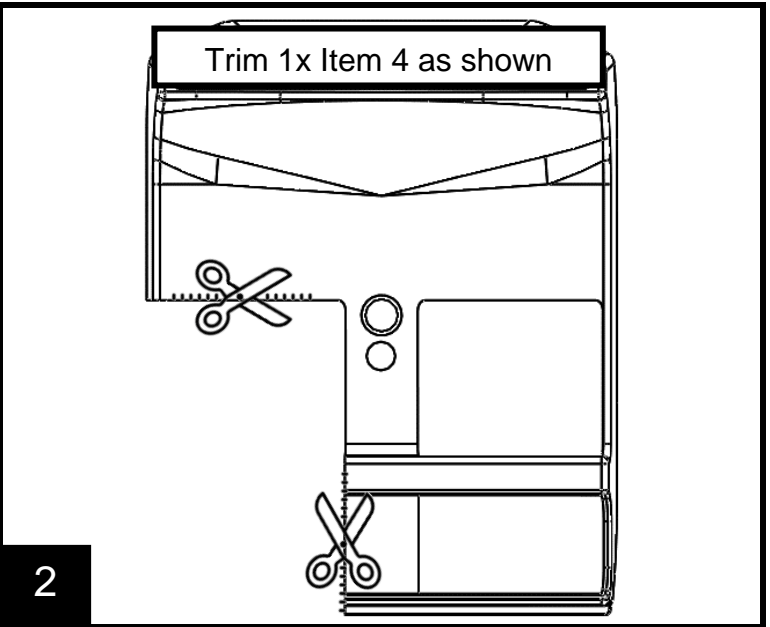
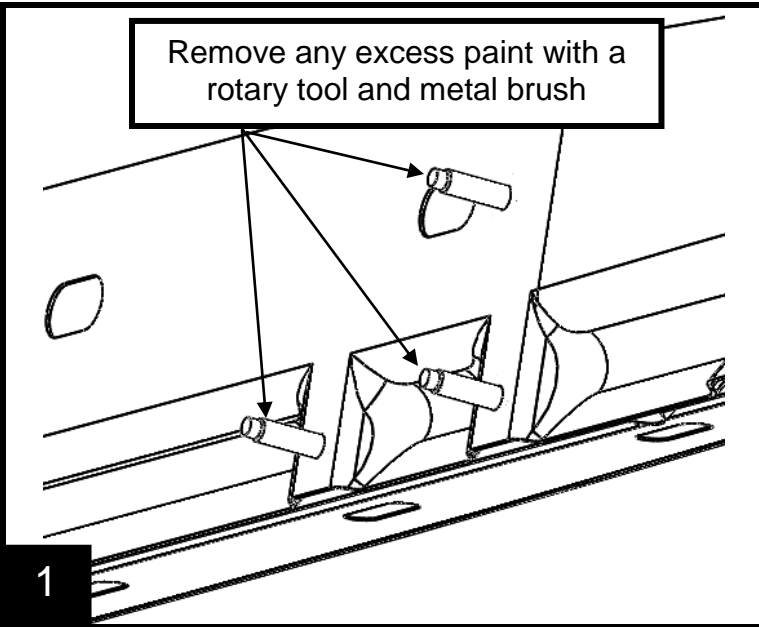
Refer to the parts list to ensure that all necessary components and hardware have been included. If any parts are missing please contact your local RAM dealership for assistance.

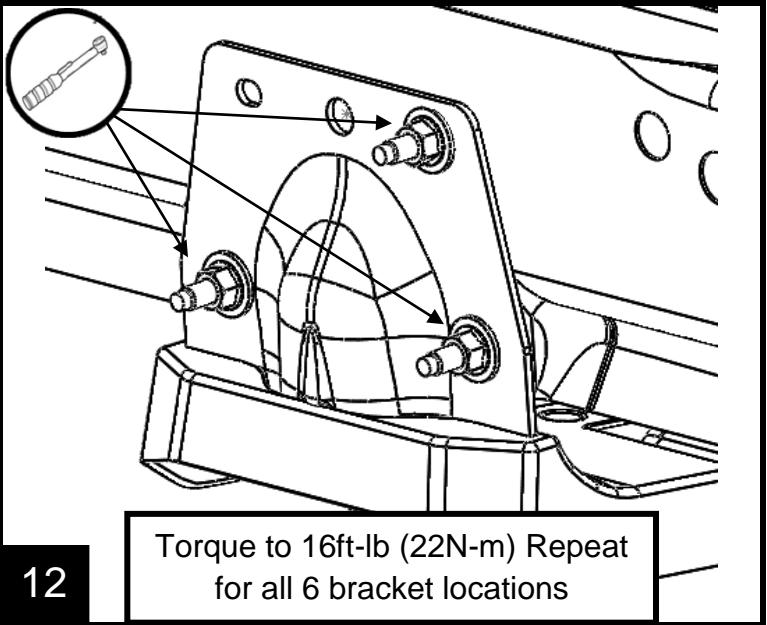
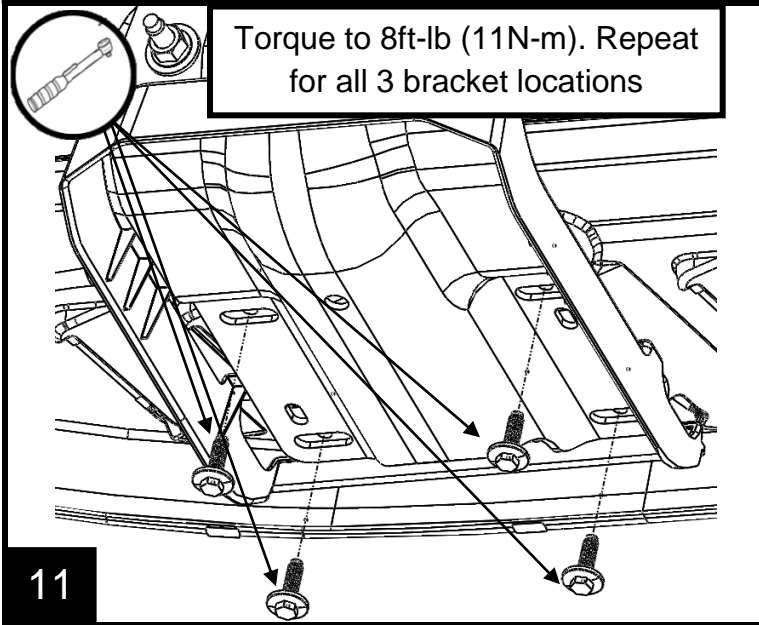
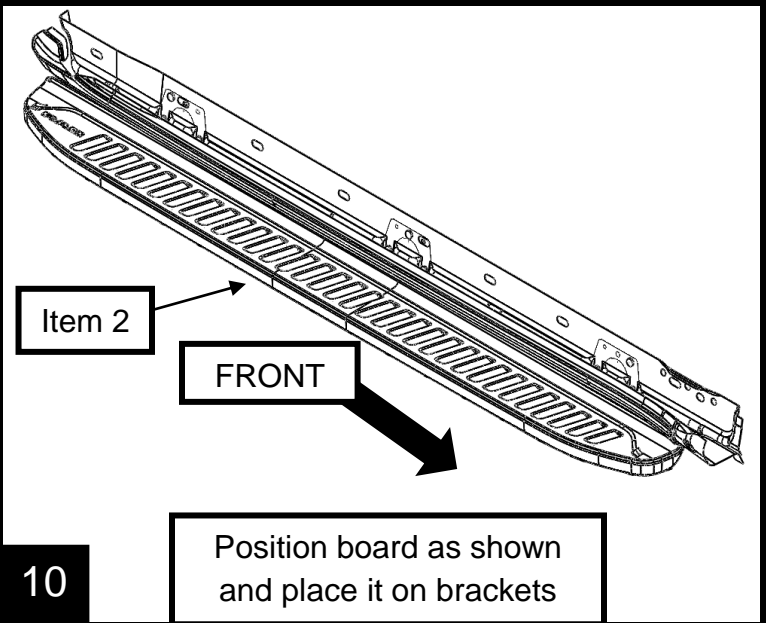
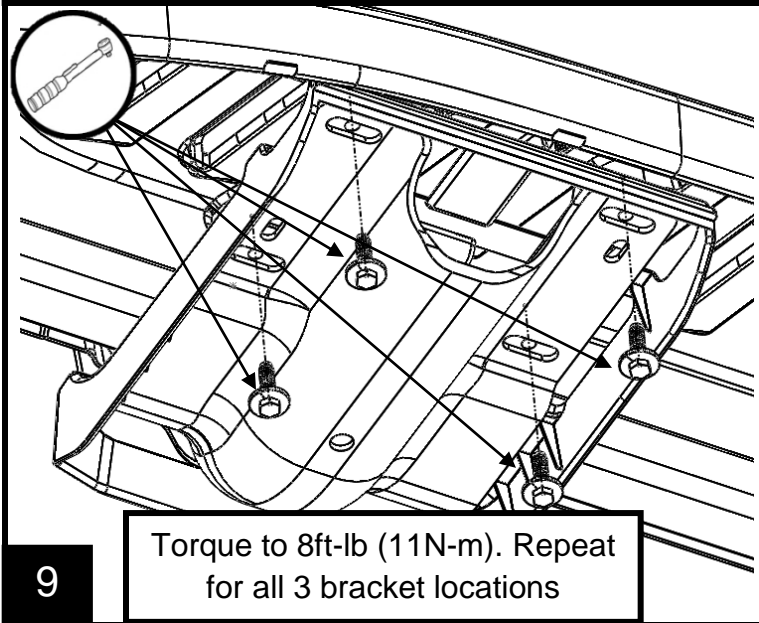
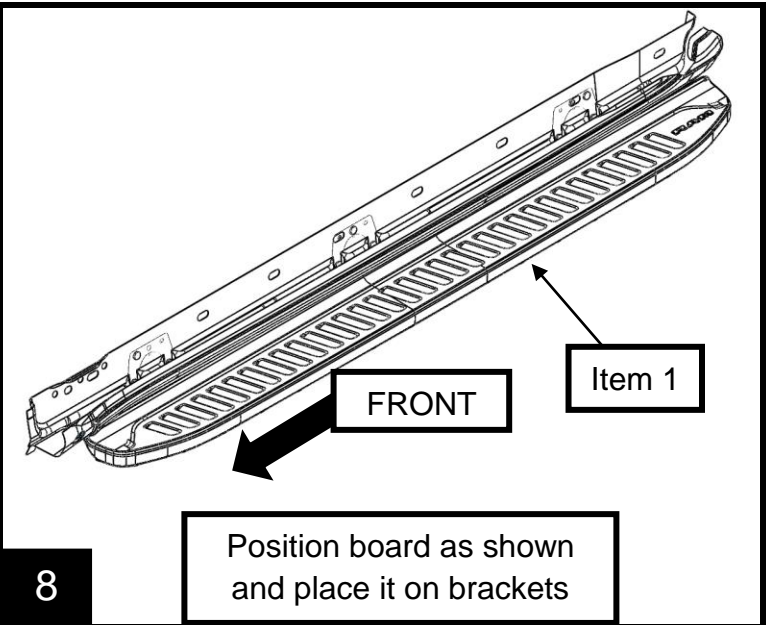
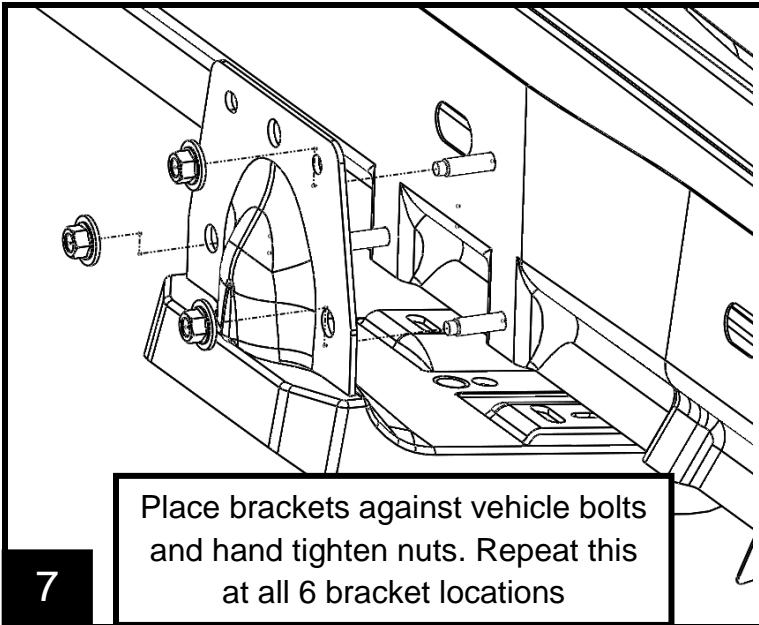
Tools Needed:

- Ratcheting Wrench
- 10mm Socket
- 13mm Socket
- Torque Wrench



Call Out	Description	Quantity	Supplier Item Number
1	Left Quad DT Cast Board	1	82212214LTX
2	Right Quad DT Cast Board	1	82212214RTX
3	DT Bracket	6	B 2442
4	DT Bracket Cover	6	B 2442 COVER
5	M6x1.0-20mm Hex Bolt	24	PN 1237
6	M8 Nut w/ Conical Washer	18	PN 1238





Ensure board is securely attached to the vehicle before operation
Fold and place this instruction sheet in the vehicle glove box for future reference
For customer service questions, refer to your local RAM dealership

THIS CELL TO BE REMOVED IN FINAL SHEET

Document Revision History

Date	Section	Summary of Changes Made	Notes
		Initial Release	